



MECANOREM
YARD EQUIPMENT



Efficient and safe handling is essential for all those who handle boats regularly. Whether you are a marina, a yacht club, boat yard, boat manufacturer or dealer, for almost 40 years, MECANOREM has been offering its range of hydraulic boat trailers with the permanent focus on speed, comfort of use and security.

HYDRAULIC BOAT HANDLING



- ▶ **EASY HANDLING:** 180° pivoting, controlling tower
- ▶ **VERSATILE:** Combined use with any cradle
- ▶ **STRONG:** Payload up to 50 T
- ▶ **ADJUSTABLE:** Suitable for any boat type

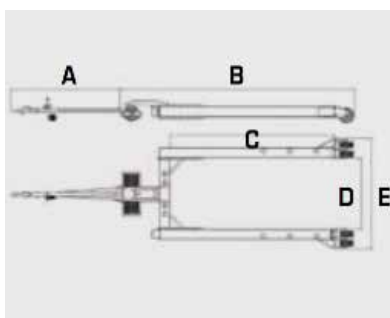
▶ Boat trailer inspired by the efficiency of the pallet truck. Wide range from 4 to 20 T payload (standard) and above 20 T payload, only upon request.



▶ Option : Road kit homologation.

OUR RANGE (U or V shape)

TYPE	U3040	U4040	U6040	U 8040	U 12040	U 16040	U 20040	V 3520	V 5020
Maximal payload	3T	4T	6T	8T	12 T	16 T	20 T	3,5 T	5 T
Chassis inside length (c)	2,85 m	3,50 m	4,00 m	5,00 m	5,70 m	6,50 m	6,70 m	4,50 m	5,60 m
Chassis inside width (d)	1,47 m	1,70 m	1,80 m	1,85 m	1,95 m	1,95 m	2,20 m	1,80 m	2,00 m
Chassis overall length (b)	4,00 m	5,30 m	6,00 m	7,00m	8,00 m	8,50 m	8,70 m	6,30 m	8,10 m
Chassis overall width (e)	1,77 m	2,10 m	2,30 m	2,95 m	3,10 m	3,10 m	3,30 m	2,20 m	2,50 m
Lifting height	220 mm	220 mm	220 mm	220 mm	220 mm	220 mm	220 mm	220 mm	220 mm
Drawbar length (a)	2,5 à 4 m	2,5 à 4 m	3 à 5 m	3 à 5 m	3 à 5 m	3 à 5 m	3 à 5 m		
Wheels (ø diam.)	16x4	18,7	18,7	18,7	18,7	400	500		
Axle height - set #1	0,15m	0,15m	0,15m	0,15m	0,20m	0,20m	0,20m		
Axle height - set #2		0,60m	0,60m	0,60m	0,60m	0,60m	0,60m		
Axle height - set #3		0,90m	1,00m	1,00m	1,00m	1,00m	1,00m		On request
Axle height - set #4	On request	1,20m	1,20m	1,40m	1,40m	1,40m	1,40m		
Axle height - set #5		-	-	-	-	-	1,80m		
Stand sections per trailer		16	24	24	24	30	36		
Rubber pads per stand	2	3	4	4	5	6	6		



Below are the most sold references, other options available upon request.

- ▶ By-pass
- ▶ 12V electric pump + 70Ah battery set
- ▶ Road kit with park brake
- ▶ Screw-adjusted stand
- ▶ Sliding kit for stands
- ▶ Sliding kit with angle adjustments
- ▶ Stand for off-centered position
- ▶ Beam for front "V-stand"
- ▶ Sailboat belt system
- ▶ Removable crossbeam
- ▶ Front « V » stand
- ▶ Keel beam

For more information please request your hydraulic boat trailer leaflet from your TRIGANO PORTUAIRE sales representative or distributor.

For you, the boat professionals, MECANOREM offers the following range of hydraulic trailers to facilitate your daily boat launch and recovery operations and ensure trouble-free winterising of your customers' boats.

HYDRAULIC BOAT HANDLING

▼ PRO B 100 3.5T TRAILER

Trailer to carry boats on the road
(CE Homologation)

Gross weight: 3 500 Kg
Payload: Up to 2 450 Kg
Overall length: 8600 mm with rear light panel.
Overall width: 2 520 mm
Lifting height: 280 mm

European Homologation on French road (TBC country by country)

- ▶ **Manual hydraulic tilt system** (electrical as an option)
- ▶ **Double support rubber pads** (for sailing and motor boat)
- ▶ **Finishing: hot dip galvanized** (for sailing boat)



▼ COMMERCIAL FISHERMAN 3.5T TRAILERS

Road kit as an option

Gross weight: 3 500 Kg
Payload: Up to 2 800 Kg
Overall length: 7 200 mm
Overall width: 2 500 mm
Lifting height: 270 mm



Option :

- ▶ Road Homologation (professional handling) (TBC country by country)

PROFESSIONAL TRAILERS « special boat yards »

▼ TRG Version

Equipements version TRG :

- ▶ 2 or 3 axles
- ▶ Welded chassis & straight drawbar
- ▶ Reinforced central roller path



Available with also :

- ▶ Manually (or hydraulically) adjustable steel stands
- ▶ Hydraulic tilt system
- ▶ Adjustable drawbar (specially developed for French military)
- ▶ Reinforced jockey wheel or hydraulic ground support
- ▶ Electrical winch
- ▶ Flush kit for brakes etc.
- ▶ Ladder frame etc



▲ MTX Version



Supplied with:

- ▶ "A" shape chassis frame made of 2 longitudinal chassis beams
- ▶ Tilting central roller spine with support kit fitted to the longitudinal chassis beams
- ▶ Mudguard with tubular reinforcement

Available with also :

- ▶ Hydraulic tilting central roller spine with support kit fitted to the longitudinal chassis beams
- ▶ "A" shape chassis frame made of 2 longitudinal chassis beams
- ▶ Pin-shaped side stands, screw or hydraulic finish
- ▶ Hydraulic tilting
- ▶ Adjustable drawbar
- ▶ Reinforced jockey wheel or hydraulic stand

HYDRAULIC TRAILERS

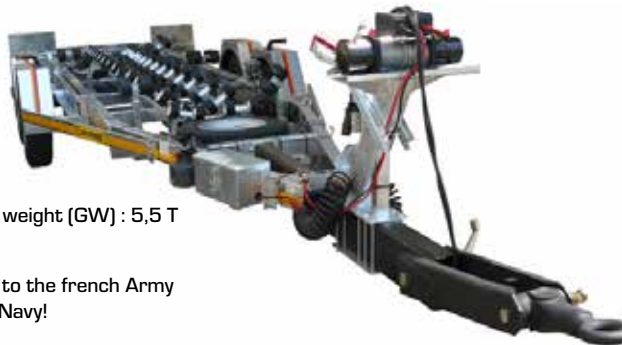
On request, we can do special projects.



AIR BRAKED TRAILERS



Gross weight (GW) : 8 T



Gross weight (GW) : 5,5 T

► Official provider to the french Army and the French Navy!

HEAVY DUTY TROLLEYS



CH MTX 6000 / 10000 : on request



CH 5004 M spécial

40 T. STORAGE CRADLES WINTER RACKS



CRADLES WITH LIFTING LUGS





Thanks to its wide array of mechanically-welded hot dip galvanized trolleys, MECANOREM allows you to optimize safely, on private grounds, the circulation of boats as well as the (un)loading operations.

BOAT TROLLEYS



▲ **CH MTX 1500 A**
Multi-rollers for « V hull » boats

Designation	Empty weight	Payload Max.	Length	Wheels
CH MTX 450 A	120 kg	450 kg	4,30 m	165/70 R 13
CH MTX 750 A	140 kg	750 kg	5,00 m	165/70 R 13
CH MTX 1000 A	190 kg	1000 kg	5,50 m	195/65 R 15
CH MTX 1500 A	300 kg	1500 kg	6,40 m	195/65 R 15
CH MTX 2000 A	350 kg	2000 kg	7,40 m	6,5 x 10/10
CH MTX 2500 A	430 kg	2500 kg	8,40 m	23,9 x 10/18

Other on request.

Designation	Empty weight	Payload Max.	Max. length	Height	Wheels
CH TRG 450 A	125 kg	450 kg	4,70 m	0.43 m	165/70 R 13
CH TRG 750 A	180 kg	750 kg	4,70 m	0.45 m	165/70 R 13
CH TRG 1000 A	220 kg	1000 kg	5,20 m	0.46 m	195/65 R 15
CH TRG 1500 A	280 kg	1500 kg	5,50 m	0.47 m	195/65 R 15
CH TRG 2000 A	360 kg	2000 kg	6,50 m	0.47 m	6,5 x 10/10
CH TRG 2500 A	400 kg	2500 kg	7,50 m	0.50 m	23,9 x 10/18

▼ **CH TRG 1000 A**
Central roller path (see fishing trips, weighted dinghy...)



▲ **CH 1504 Sail boats**
Shown with solid wheels



Designation	Motor	Sail Boat	Payload	Length	Width	Drawbar	Inflatable wheels	Solid wheels
CH 1004	M	V	1000 kg	3,00 m	1,60 m	2,00 m	350 x 8	Ø300
CH 1504	M	V	1500 kg	3,00 m	1,60 m	2,50 m	400 x 8	Ø300
CH 2004	M	V	2000 kg	3,50 m	1,70 m	2,50 m	16 x 4	-
CH 3004	M	V	3000 kg	4,00 m	2,00 m	3,00 m	16 x 4	-

Other sizes on demand.

TOWED DOLLY + TROLLEY



Designation	Cradles	Chassie	Length x Width	Wheels
DOLLY 2002	1002	80x40x2	3 x 1,7	0,3 m
	1502	80x40x3,2	3 x 1,7	0,3 m
	2002	100x50	3,5 x 1,9	0,3 m
DOLLY 4002	3002	120x60	4 x 2,1	0,4 m
	4002	160x60	4,5 x 2,4	0,4 m

▲ TROLLEY

Combined system of a manual trolley towed by a dolly (available with a hydraulic jack and a manual pump). Ideal to save space! For boats from 1 to 4T.

Helping you to enhance the commercial display, maintenance and winter storage of your boats, MECANOREM offers a very comprehensive range of storage equipment that can fit any boat type (motor, sailboats...).

SMALL TROLLEYS

Designation	Empty weight	A	B	Tube	Wheels
B.R. JUNIOR	500 kg	0,85 m	1,00 m	60 x 30mm	Ø 125 mm
B.R. SENIOR	800 kg	1,00 m	1,00 m	80 x 40mm	Ø 150 mm
B.R. SENIOR PLUS	1200 kg	1,00 m	1,00 m	80 x 40mm	Ø 150 mm reinforced
B.R. EXPO N°2	500 kg	1,05 m	2,50 m	60 x 30mm	Ø 125 mm



▲ **TROLLEYS**
4 unbraked rotating wheels

FRONT "V" STANDS

Designation	Empty weight	Height	Length	Pad(s)	Payload
FRONT V STAND N°1	500 kg	6 kg	0,50 m	0,45 m	2
FRONT V STAND N°2	1000 kg	8 kg	de 0,48 to 0,65 m	0,50 m	1
FRONT V STAND N°3	2000 kg	13 kg	de 0,65 to 0,80 m	0,60 m	1
FRONT V STAND N°4	2500 kg	24 kg	de 0,90 to 1,27 m	0,75 m	1



▲ **FRONT "V" STANDS**

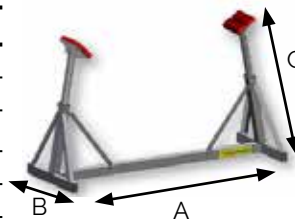
BERS

WARNING !!! The boat weight specified is for a pair of cradles. Please consult us.

▼ Storage cradles for motor boats (B.I.F / not adjustable)

Designation	Empty	A	B	C	Pad(s)	Boat length	Boat weight
B.I.F. N°1 M	10 kg	AV 0,85 - AR 1,34m	0,50 m	0,50 m	2 x 1	3 to 6 m	1,5 T
B.I.F. N°2 M	30 kg	1,40m	0,60 m	0,66 to 0,88	2 x 2	6 to 7 m	2,5 to 3 T
B.I.F. N°3 M	42 kg	1,53 m	0,75 m	0,76 to 0,98	2 x 2	7 to 9 m	3 to 5 T
B.I.F. N°4 M	64 kg	1,90 m	0,90 m	0,85 to 1,20	2 x 3	9 to 12 m	5 to 7 T
B.I.F. N°5 M	80 kg	2,20 m	1,00 m	1,00 to 1,40	2 x 3	10 to 14 m	7 to 8 T
B.I.F. N°6 M	95 kg	2,50 m	1,20 m	1,10 to 1,60	2 x 4	12 to 18 m	10 to 15 T

▼ B.I.F. N°2 M



▼ Storage cradles for motor boats (B.I.R / adjustable)

Designation	Empty	A	B	C	Pad(s)	Boat length	Boat weight
B.I.R. N°3 M	60 kg	1,35 to 1,75 m	0,75 m	0,76 to 0,98	2 x 2	7 to 9 m	3 to 5 T
B.I.R. N°4 M	70 kg	1,80 to 2,40 m	0,90 m	0,98 to 1,22	2 x 3	9 to 12 m	5 to 7 T
B.I.R. N°5 M	85 kg	2,04 to 2,84 m	1,00 m	1,08 to 1,58	2 x 3	10 to 14 m	7 to 8 T
B.I.R. N°6 M	95 kg	2,22 to 3,42 m	1,20 m	1,10 to 1,60	2 x 4	12 to 18 m	10 to 15 T

▼ B.I.R. N°3 M

Removable and adjustable height & width steel beam



* Screws adjustment

▼ Storage cradles for sail boats (B.I.F / not adjustable) - screws adjustment available for all

Designation	Empty	A	B	C	Pad(s)	Boat length	Boat weight
B.I.F. N°2 V	65 kg	AV 1,70-AR 2,00m	1,00m	1,22 to 1,82	2 x 2	< 8,5 m	4 T
B.I.F. N°3 V	95 kg	AV 2,10-AR 2,50m	1,20 m	1,42 to 2,02	2 x 2	< 10 m	8 T
B.I.F. N°4 V	120 kg	AV 2,40-AR 2,80m	1,50 m	1,43 to 2,35	2 x 3	< 12 m	12 T
B.I.F. N°5 V	150 kg	AV 2,80-AR 3,20m	2,00 m	1,74 to 2,54	2 x 3	< 15 m	15 T
B.I.F. N°6 V	180 kg	AV 3,00-AR 3,50m	2,40 m	2,21 to 2,82	2 x 4	< 18 m	20 T

▼ B.I.F. N°2 V

Adjustable boat stands (using rigging screws)



▼ Storage cradles for sail boats (B.I.R / adjustable) - screws adjustment available for all

Designation	Empty weight	A	B	C	Pad(s)	Boat length	Boat weight
B.I.R. N°6 Sailb. VSF	95 kg	1,60 to 2,40	1,20 m	1,50 to 2,10	2 x 2	< 10 m	6 T
B.I.R. N°9 Sailb. VSF	135 kg	1,80 to 2,80	1,70 m	1,80 to 2,40	2 x 3	< 14 m	9 T
B.I.R. N°15 Sailb. VSF	185 kg	2,30 to 3,20	2,40 m	2,00 to 2,70	2 x 4	< 18 m	15 T

▼ B.I.R. N°2 V

Boat stands may angle up to 10°. Removable & adjustable beam.



STORAGE EQUIPMENT

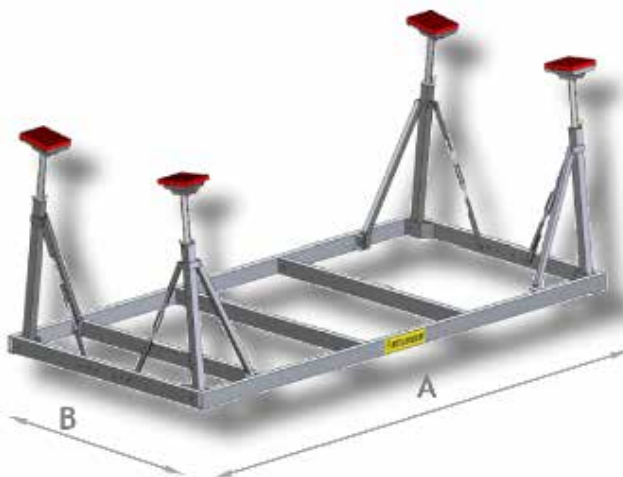


All our boat cradles are made of welded hot dip galvanized tubes completed by telescopic boat stands and adjustable rubber pads. The standard adjustment of the stands is carried out using small galvanized spindles.

STOCK CRADLES

Designation	A	B	E. Mini	H. Mini	H. Maxi	Pad(s)	Boat length	Boat weight
N°2	3,00 m	2,00 m	1,80 m	1,25 m	1,85 m	4 x 2	8,5 m	5 T
N°3	4,00 m	2,40 m	2,15 m	1,45 m	2,15 m	4 x 2	11 m	8 T
N°4	5,00 m	2,40 m	2,15 m	1,45 m	2,15 m	4 x 3	13 m	12 T
N°5 *	6,00 m	2,80 m	2,56 m	1,75 m	2,55 m	4 x 4	15 m	16 T

*The frame of the Nr. 5 & 6 stock cradles is supplied assembled.



Options:

- ▶ Screw adjusted stands
- ▶ Winch operated stands
- ▶ Stern tube
- ▶ Hull support kit
- ▶ Cradle riser to facilitate the water evacuation.



Screw adjusted stand



Winch operated stand

DOCKING MATERIALS

Designation	Payload	Height
TRESTLE	3 T	0,87 m max / 0,66 m mini
TRESTLE	12 T	1,10 m max / 0,8 m mini
FOUR-LEGGED STOOL	5 T	0,8m / 0,6 / 0,4
FOUR-LEGGED STOOL	10 T	1,2 m / 0,8 / 0,6 / 0,4
MECACUBE	0,5T - 1,1 T - 3T	0,4 m

Réf.	Payload	Height
TRIPOD	< 20 T	< 1,8 m

Other docking materials on request.

▶ **FOUR-LEGGED STAND** (screw adjusted)



▼ **TRESTLE**



▼ **FOUR-LEGGED STOOL**



▼ **MECACUBE** (Made in aluminium)



MAST TROLLEY

Designation	Payload
CH P MA SENIOR	500 kg
CH P MA RG S	500 kg
CH P MA	900 kg

▶ **CH P MA**



ON-BOARD TROLLEY

▼ **CH PM 400**

Other versions on request



▼ **DISPLAY** 4-6 Motors



▲ **CH PM PRO**





As a French trailer manufacturer for more than 40 years, MECANOREM is today one of the leaders of the French boat trailer market.

With 50 people, and 8000m² of space, Mecanorem's expertise and skill can be found in 4 areas:

- Boat trailers (motor or sailboats)
- Professional heavy duty trailers (tippers, flat bed, parks & garden, construction and civil works etc.)
- All kinds of special trailers (upon request, manufactured to client's specification)
- Boat yard & Marina Equipment (hydraulic trailers, cradles etc.)

In 2004, MECANOREM is becoming part of TRIGANO Group.

TRIGANO

TRIGANO Group is THE N° 1 TRAILER GROUP IN EUROPE

- ▶ **Historical knowledge and expertise**
- ▶ **Leading trailer manufacturer in Europe**
- ▶ More than **20 years of experience**
- ▶ Design, manufacture and distribution of leisure and professional trailers
- ▶ For B2C & B2B clients
- ▶ **5 production plants in Europe**
- ▶ **Large and varied network of resellers** (distributors, dealers and internet)
- ▶ Extension of its knowledge to **professional port equipment**
- ▶ **Made in France**, design and manufacture Marina & Boat yard handling equipment 
- ▶ A **very wide range of models**, you will always find the trailer for your needs!!
- ▶ With more than 1000 points of sales in France, MECANOREM is currently increasing its presence in Europe.

MECANOREM - Mecanorem.com

Route de Saint-Sauveur, BP 305
50 700 VALOGNES, FRANCE

Tel: +33 (0) 607 223 061 / Mail : btrohel@trigano.fr

Distributed by: